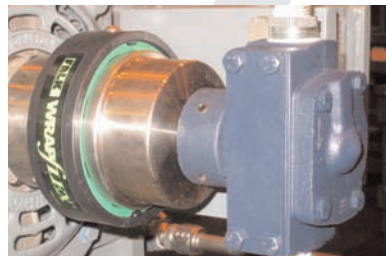
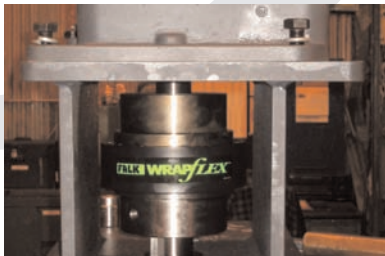
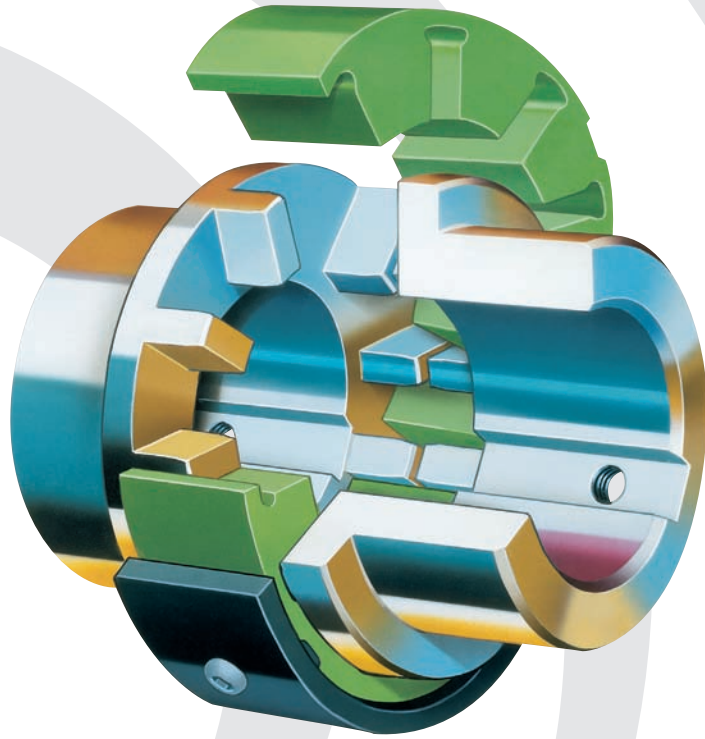


Falk™ Wrapflex® Elastomer Couplings | Talk About Simple! (English-Metric)



Falk™ Wrapflex® Elastomer Couplings

Now There's a Simple Way to Increase Productivity

- 12 sizes
- Torque Range: 133,000 lb.in. (15 028 Nm)
 - Bore Capacity: 7¼" (186 mm)
 - "Replace in Place"
 - Non-Lubricated/Low Maintenance
 - 3-Year Heavy-Duty Warranty

Ever think that keeping your production lines running more profitably could be as simple as replacing a light bulb or opening a can with a pop-top?

Quick, easy installation and replacement set new standards for reduced downtime. Because motors or drives don't need to be moved, our "replace in place" elements even eliminate the need for time-consuming realignment, further reducing downtime.

Available in close-coupled and spacer designs, Wrapflex couplings accommodate up to 7¼" (186 mm) shafts and torque loads up to 133,000 lb.in. (15 028 Nm).

For simplicity and cost-effectiveness over the life of your coupling, it just doesn't get any easier than this – Wrapflex couplings from Rexnord.

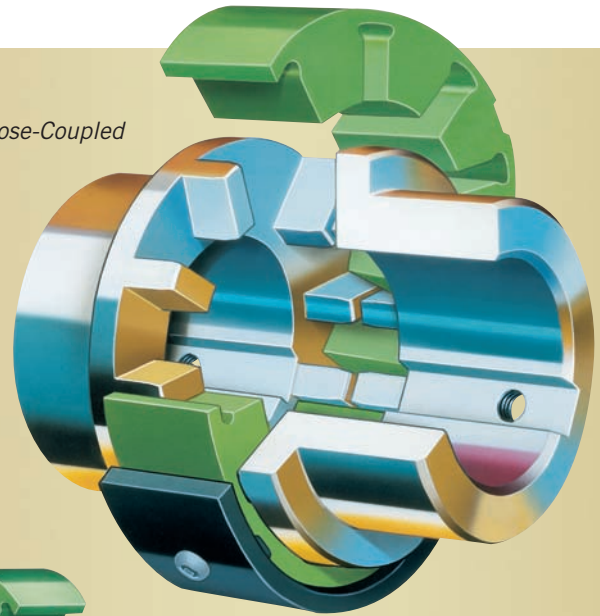
Low Initial Cost

- Advanced manufacturing methods and innovative material allow us to offer you higher capacity ratings at a more competitive price than ever before possible.
- Initial investment protected by the industry's first, standard 3-Year Heavy-Duty Warranty.

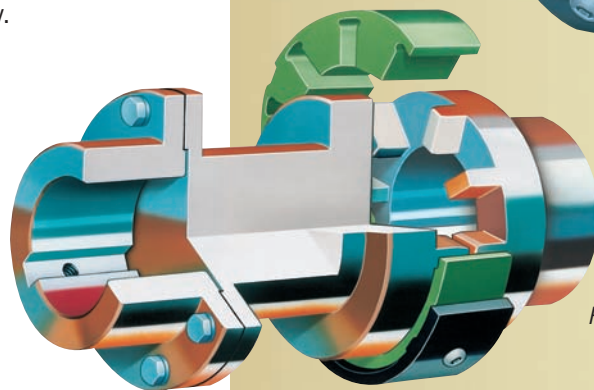
Easy to Install

- The compound root radius in the element teeth (patent #6,342,011) increases flexibility for easier and quicker assembly.
- Can be blind assembled from either direction.

R10 Close-Coupled



R35 Half Spacer





Tough, Long-Lasting

- Polyurethane element has excellent wear and chemical resistance, and an operating temperature of -40° C (-40° F) to 95° C (200° F).
- Weather-resistant, high-grade nylon cover is standard.
- Optional carbon steel covers with black epoxy coating for highly corrosive, severe-duty applications. (Standard for sizes 60-80.)
- Optional Stainless steel hubs are available for Type R10 when required in the food industry or corrosive environments.

Safety First

- Two stainless steel button-head capscrews, positioned 180° apart, prevent relative motion between cover and element and provide a positive means of retaining the cover to the element.
- Flexible element is retained after failure, helping minimize the potential for damage or personal injury.

Quick and Easy Retrofits

- Compact design eliminates the need for coupling guard redesign on existing applications.
- Stock finished bores in popular sizes. Taper bores for Q.D. and TaperLock bushings are available off-the-shelf from our worldwide distribution network.

Replace in Place

- Design allows quick and easy element replacement.
- There's no need to remove hubs or realign motors or drives, reducing downtime.

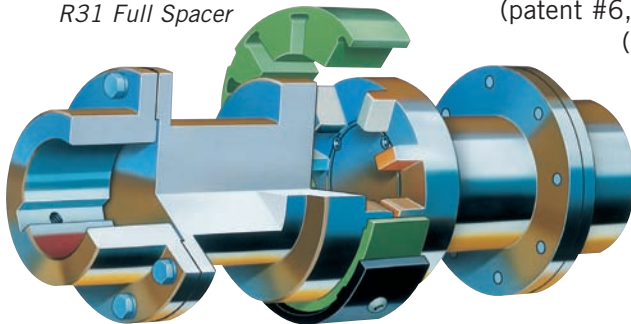
No Maintenance Needed

- Non-lubricated design of the tough, flexible polyurethane element reduces periodic maintenance costs.

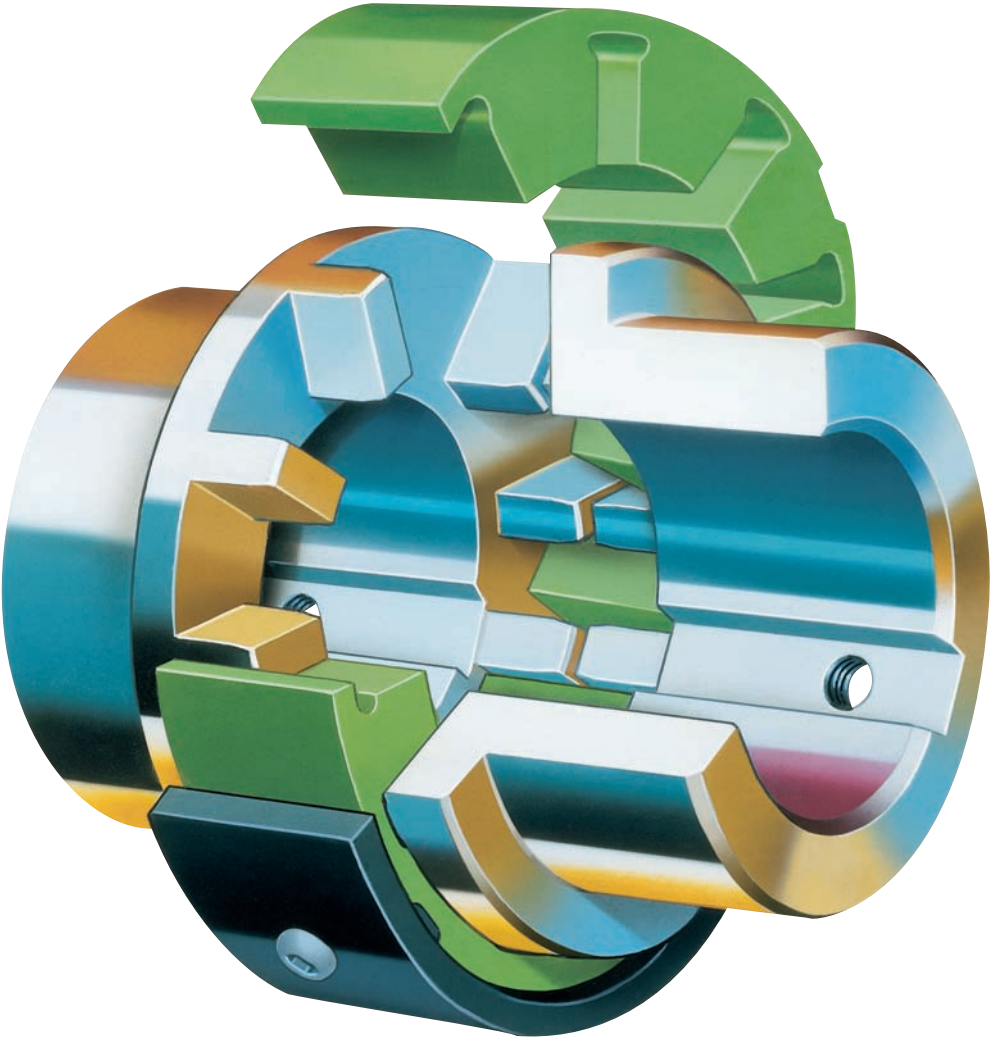
Protects Equipment

- Compound root radius on inner corners of flex element (patent #6,342,011) act as a stress relief for longer element life.
- Hub teeth machined with special nose radius (patent #6,342,011) for better tooth-to-tooth contact (Sizes 5 to 80 only).
- Special hub feature to reduce reaction loads transferred to connected equipment (patent #6,648,763).

R31 Full Spacer



Falk™ Wrapflex® Selection Guide



Selection Guide M491-110, July 2007

Wrapflex Quick Selection Method — Close Coupled R10

1. Determine Service Factor — Refer to Table 1 or 4 for motor or turbine driven applications. See Table 5 for Engine Drives.
2. Determine Equivalent Power.
Refer to Table 2 — Under the actual kW required and opposite the service factor, read the Equivalent Power.
3. Determine Coupling Size.
- A. Refer to Table 3 — Trace horizontally from the required speed to a kW value equal to or larger than the Equivalent Power determined in Step 2. Read the coupling size at the top of the column.
- B. Check shaft diameters against coupling maximum bores shown in Table 3 and on Page 6 for the correct coupling size selected.
- C. In Table 3, check the required speed against the allowable speed shown below the correct coupling size selected.
4. Determine application/design shaft spacing and check application dimension requirements against selected coupling type dimensions shown on Pages 8 thru 12. Confirm sufficient clearances for coupling.
5. Confirm that application ambient operating temperatures are between -40°C (-40°F) to 95°C (200°F). For applications requiring Service Factor above 1.5 and temperatures above 79°C (175°F), consult Rexnord Engineering for selection assistance or optional high temperature elements.

SERVICE FACTORS are a guide, based on experience, of the ratio between coupling catalog rating and system characteristics. The system characteristics are best measured with a torque meter.

TABLE 1 — Service Factors







Torque Demands Driven Machine	Typical applications for electric motor or turbine driven equipment	Typical Service Factor
	Constant torque such as Centrifugal Pumps, Blowers, and Compressors.	1.0
	Continuous duty with some torque variations including Plastic extruders, Forced Draft Fans.	1.5
	Light shock loads from Metal Extuders, Cooling Towers, Cane Knife, Log Haul.	2.0
	Moderate shock loading as expected from a Car Dumper, Stone Crusher, Vibrating Screen.	2.5
	Heavy shock load with some negative torques from Roughing Mills, Reciprocating Pumps, Compressors, Reversing Runout Tables.	3.0
	Applications like Reciprocating Compressors with frequent torque reversals, which do not necessarily cause reverse rotations.	Refer to Factory

TABLE 2 — Equivalent Power = (Actual kW x Service Factor)

Service Factor ‡	Actual kW																														
	0.25	0.37	0.55	0.75	1.1	1.5	2.2	3	4	5.5	7.5	9.2	11	15	18.5	22	30	37	45	55	75	90	110	132	150	185	200	220	250	300	330
1.00	0.25	0.37	0.55	0.75	1.1	1.5	2.2	3	4	5.5	7.5	9.2	11	15	18.5	22	30	37	45	55	75	90	110	132	150	185	200	220	250	300	330
1.25	0.31	0.46	0.69	0.9	1.4	1.9	2.8	3.8	5	6.9	9.4	11.5	13.8	18.8	23.1	27.5	37.5	46.3	56.3	68.8	93.8	113	138	165	188	231	250	275	313	375	413
1.50	0.38	0.56	0.83	1.1	1.7	2.3	3.3	4.5	6.0	8.3	11.3	13.8	16.5	22.5	27.8	33.0	45.0	55.5	67.5	82.5	113	135	165	198	225	278	300	330	375	450	495
1.75	0.44	0.65	0.96	1.3	1.9	2.6	3.9	5.3	7.0	9.6	13.1	16.1	19.3	26.3	32.4	38.5	52.5	64.8	78.8	96.3	131	158	193	231	263	324	350	385	438	525	578
2.00	0.50	0.74	1.1	1.5	2.2	3.0	4.4	6.0	8.0	11.0	15.0	18.4	22.0	30.0	37.0	44.0	60.0	74.0	90.0	110	150	180	220	264	300	370	400	440	500	600	660
2.50	0.63	0.93	1.4	1.9	2.8	3.8	5.5	7.5	10	13.8	18.8	23.0	27.5	37.5	46.3	55.0	75.0	92.5	113	138	188	225	275	330	375	463	500	550	625	750	825
3.00	0.75	1.1	1.7	2.3	3.3	4.5	6.6	9.0	12	16.5	22.5	27.6	33.0	45.0	55.5	66.0	90.0	111	135	165	225	270	330	396	450	555	600	660	750	900	990
3.50	0.88	1.3	1.9	2.6	3.9	5.3	7.7	10.5	14	19.3	26.3	32.2	38.5	52.5	64.8	77.0	105	130	158	193	263	315	385	462	525	648	700	770	875	1050	1155

‡ For service factors not listed. Equivalent Power = Actual kW x Service Factor.

© Rexnord Industries, LLC, 1998, 2007. All Rights Reserved. Litho in U.S.A.
A-PLUS, CLUB GEAR HEAD, DRIVE ONE, FREEDOM, LIFELIGN, OMNIBOX, ORANGE PEEL, QUADRIVE, RAM, RENEW, REXNORD, SPEED QUOTE, SPEEDSELECT, STEELFLEX, TRUE HOLD, ULTRAMITE, ULTRAMAX, and WRAPFLEX are registered trademarks.
Falk is a trademark of Rexnord. The contents of this bulletin are subject to change without notice or obligation. Information contained herein should be confirmed before placing orders.

TABLE 3 — Falk “Wrapflex” Coupling Quick Selection Chart

	2R	3R	4R	5R	10R	20R	30R	40R	50R	60R	70R	80R
Max Bore (mm)	22.00	28.00	35.00	35.00	42.00	55.00	60.00	75.00	100.00	133.00	156.00	186.00
Max Speed	4500 rpm	4500 rpm	4500 rpm	4500 rpm	4500 rpm	4500 rpm	4500 rpm	3600 rpm	3000 rpm	2500 rpm	2100 rpm	1800 rpm
Torque (Nm)	11	34	56	62	130	320	520	1030	2500	4000	8000	15000
kW/rpm	0.0012	0.0036	0.0059	0.0065	0.0136	0.0335	0.0545	0.108	0.262	0.419	0.838	1.57
RPM	kW Ratings											
4500	7.14	21.4	35.7	39.3	82.1	200	328					
3600	5.71	17.1	28.6	31.4	65.7	160	263	520				
3000	4.76	14.3	23.8	26.2	54.7	133	219	433	1057			
2500	3.97	11.9	19.8	21.8	45.6	111	182	361	881	1408		
2100	3.33	10.0	16.7	18.3	38.3	93.3	153	303	740	1183	2362	
1800	2.86	8.57	14.3	15.7	32.8	80.0	131	260	634	1014	2025	3798
1750	2.78	8.33	13.9	15.3	31.9	77.7	128	253	616	986	1969	3693
1450	2.30	6.90	11.5	12.7	26.5	64.4	106	209	511	817	1631	3060
1170	1.86	5.57	9.28	10.2	21.3	52.0	85.4	169	412	659	1316	2469
1000	1.59	4.76	7.93	8.73	18.2	44.4	73.0	144	352	563	1125	2110
870	1.38	4.14	6.90	7.59	15.9	38.7	63.5	126	306	490	979	1836
720	1.14	3.43	5.71	6.28	13.1	32.0	52.6	104	254	406	810	1519
650	1.03	3.09	5.16	5.67	11.9	28.9	47.4	93.9	229	366	731	1372
580	0.920	2.76	4.60	5.06	10.6	25.8	42.3	83.7	204	327	652	1224
520	0.825	2.48	4.13	4.54	9.49	23.1	38.0	75.1	183	293	585	1097
420	0.666	2.00	3.33	3.67	7.66	18.7	30.7	60.6	148	237	472	886
350	0.555	1.67	2.78	3.05	6.39	15.5	25.5	50.5	123	197	394	739
280	0.444	1.33	2.22	2.44	5.11	12.4	20.4	40.4	98.6	158	315	591
230	0.365	1.09	1.82	2.01	4.20	10.2	16.8	33.2	81.0	130	259	485
190	0.301	0.904	1.51	1.66	3.47	8.44	13.9	27.4	66.9	107	214	401
155	0.246	0.738	1.23	1.35	2.83	6.89	11.3	22.4	54.6	87.3	174	327
125	0.198	0.595	0.992	1.09	2.28	5.55	9.12	18.0	44.0	70.4	141	264
100	0.159	0.476	0.793	0.873	1.82	4.44	7.30	14.4	35.2	56.3	112	211
84	0.133	0.400	0.666	0.733	1.53	3.73	6.13	12.1	29.6	47.3	94.5	177
68	0.108	0.324	0.539	0.593	1.24	3.02	4.96	9.82	24.0	38.3	76.5	143
56	0.089	0.267	0.444	0.489	1.02	2.49	4.09	8.09	19.7	31.5	63.0	118
45	0.071	0.214	0.357	0.393	0.821	2.00	3.28	6.50	15.9	25.3	50.6	95.0
37	0.059	0.176	0.294	0.323	0.675	1.64	2.70	5.34	13.0	20.8	41.6	78.1
30	0.048	0.143	0.238	0.262	0.547	1.33	2.19	4.33	10.6	16.9	33.7	63.3
25	0.040	0.119	0.198	0.218	0.456	1.11	1.82	3.61	8.81	14.1	28.1	52.8
20	0.032	0.095	0.159	0.175	0.365	0.889	1.46	2.89	7.04	11.3	22.5	42.2
16.5	0.026	0.079	0.131	0.144	0.301	0.733	1.20	2.38	5.81	9.29	18.6	34.8
13.5	0.021	0.064	0.107	0.118	0.246	0.600	0.985	1.95	4.76	7.60	15.2	28.5
11	0.017	0.052	0.087	0.096	0.201	0.489	0.803	1.59	3.87	6.20	12.4	23.2
9	0.014	0.043	0.071	0.079	0.164	0.400	0.657	1.30	3.17	5.07	10.1	19.0
7.5	0.012	0.036	0.060	0.065	0.137	0.333	0.547	1.08	2.64	4.22	8.44	15.8
5	0.0079	0.024	0.040	0.044	0.091	0.222	0.365	0.722	1.76	2.82	5.62	10.6

Service Factors

TABLE 4 — Flexible Coupling Service Factors for Motor ♦ and Turbine Drives

Service factors listed are typical values based on normal operation of the drive systems.

Alphabetical listing of applications

<p>AERATOR2.0</p> <p>AGITATORS Vertical and Horizontal Screw, Propeller, Paddle1.0</p> <p>BARGE HAUL PULLER1.5</p> <p>BLOWERS Centrifugal1.0 Lobe or Vane1.25</p> <p>CAR DUMPERS2.5</p> <p>CAR PULLERS1.5</p> <p>CLARIFIER OR CLASSIFIER1.0</p> <p>COMPRESSORS Centrifugal1.0 Rotary, Lobe or Vane1.25 Rotary, Screw1.0 Reciprocating Direct Connected Refer to Factory Without Flywheel Refer to Factory *With Flywheel and Gear between Compressor and Prime Mover 1 cylinder, single acting3.0 1 cylinder, double acting3.0 2 cylinders, single acting3.0 2 cylinders, double acting3.0 3 cylinders, single acting3.0 3 cylinders, double acting2.0 4 or more cyl., single act.1.75 4 or more cyl., double act.1.75</p> <p>CONVEYORS Apron, Assembly, Belt, Chain, Flight, Screw1.0 Bucket1.25 Live Roll, Shaker and Reciprocating3.0</p> <p>CRANES AND HOIST Main Hoist1.75▲ Skip Hoist1.75▲ Slope1.5 Bridge, Travel or Trolley1.75</p> <p>DYNAMOMETER1.0</p> <p>ELEVATORS Bucket, Centrifugal Discharge1.25 Freight or Passenger Not Approved Gravity Discharge1.25</p> <p>ESCALATORS Not Approved</p> <p>EXCITER, GENERATOR1.0</p> <p>EXTRUDER, PLASTIC1.5</p> <p>FANS Centrifugal1.0 Cooling Tower2.0 Forced Draft — Across the Line start1.5 Forced Draft Motor Driven thru fluid or electric slip clutch1.0 Gas Recirculating1.5 Induced Draft with damper control or blade cleaner1.25 Induced Draft without controls2.0</p> <p>FEEDERS Apron, Belt, Disc, Screw1.0 Reciprocating2.5</p> <p>GENERATORS Even Load1.0 Hoist or Railway Service1.5 Welder Load2.0</p> <p>HAMMERMILL1.75</p>	<p>LAUNDRY WASHER OR TUMBLER2.0</p> <p>LINE SHAFTS Any Processing Machinery1.5</p> <p>MACHINE TOOLS Auxiliary and Traverse Drive1.0 Bending Roll, Notching Press, Punch Press, Planer, Plate Reversing1.75 Main Drive1.5</p> <p>MAN LIFTS Not Approved</p> <p>METAL FORMING MACHINES Continuous Caster1.75 Draw Bench Carriage and Main Drive2.0 Extruder2.0 Forming Machine and Forming Mills2.0 Slitters1.0 Wire Drawing or Flattening1.75 Wire Winder1.5 Coilers and Uncoilers1.5</p> <p>MIXERS (see Agitators)1.75 Concrete1.5 Muller1.5</p> <p>PRESS, PRINTING1.5</p> <p>PUG MILL1.75</p> <p>PULVERIZERS Hammermill and Hog1.75 Roller1.5</p> <p>PUMPS Boiler Feed1.5 Centrifugal — Constant Speed1.0 Frequent Speed Changes under Load1.25 Descaling, with accumulators1.25 Gear, Rotary, or Vane1.25 Reciprocating, Plunger Piston 1 cyl., single or double act.3.0 2 cyl., single acting2.0 2 cyl., double acting1.75 3 or more cylinders1.5 Screw Pump, Progressing Cavity1.25 Vacuum Pump1.25</p> <p>SCREENS Air Washing1.0 Grizzly2.0 Rotary Coal or Sand1.5 Vibrating2.5 Water1.0</p> <p>SKI TOWS & LIFTS Not Approved</p> <p>STEERING GEAR1.0</p> <p>STOKER1.0</p> <p>TIRE SHREDDER1.50</p> <p>TUMBLING BARREL1.75</p> <p>WINCH, MANEUVERING Dredge, Marine1.5</p> <p>WINDLASS1.5</p> <p>WOODWORKING MACHINERY1.0</p> <p>WORK LIFT PLATFORMS Not Approved</p>
---	---

♦ For engine drives, refer to Table 5. Electric motors, generators, engines, compressors and other machines fitted with sleeves or straight roller bearings usually require limited end float couplings. If in doubt, provide axial clearances and centering forces to Factory for a recommendation.

* For balanced opposed design, refer to Factory.

▲ If people are occasionally transported, refer to Factory for the selection of the proper size coupling.

♣ For high peak load applications (such as Metal Rolling Mills) refer to Factory.

TABLE 5 — Engine Drive Service Factors ♦

Service Factors for engine drives are those required for applications where good flywheel regulation prevents torque fluctuations greater than ±20%. For drives where torque fluctuations are greater or where the operation is near a serious critical or torsional vibration, a mass elastic study is necessary.

No. of Cylinders	4 or 5 ♡					6 or more ♡				
	1.0	1.25	1.5	1.75	2.0	1.0	1.25	1.5	1.75	2.0
Table 4 S.F.	1.0	1.25	1.5	1.75	2.0	1.0	1.25	1.5	1.75	2.0
Engine S.F.	2.0	2.25	2.5	2.75	3.0	1.5	1.75	2.0	2.25	2.5

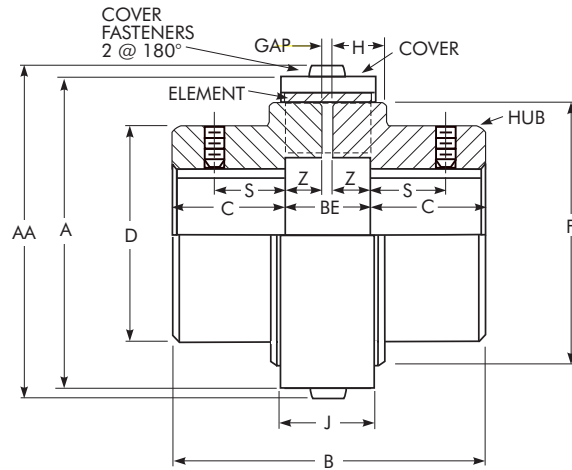
♡ To use Table 5, first determine application service factor from Table 4. Use that factor to determine ENGINE Service Factor from Table 5. When service factor from Table 4 is greater than 2.0, or where 1, 2, or 3 cylinder engines are involved, refer complete application details to Rexnord Engineering.

Alphabetical listing of industries

<p>AGGREGATE PROCESSING, CEMENT, MINING KILNS; TUBE, ROD AND BALL MILLS Direct or on L.S. shaft of Reducer, with final drive Machined Spur Gears2.0 Single Helical or Herringbone Gears1.75 Conveyors, Feeders, Screens, Elevators See General Listing Crushers, Ore or Stone2.5 Dryer, Rotary1.75 Grizzly2.0 or Hog1.75 Tumbling Mill or Barrel1.75</p> <p>BREWING AND DISTILLING Bottle and Can Filling Machines1.0 Brew Kettle1.0 Cookers, Continuous Duty1.25 Tub 1.5 Mash Tub1.25 Scale Hopper, Frequent Peaks1.75</p> <p>CLAY WORKING INDUSTRY Brick Press, Briquette Machine, Clay Working Machine, Pug Mill1.75</p> <p>DREDGES Cable Reel1.75 Conveyors1.25 Cutter head, Jig Drive2.0 Maneuvering Winch1.5 Pumps (uniform load)1.5 Screen Drive, Stacker1.75 Utility Winch1.5</p> <p>FOOD INDUSTRY Beef Slicer1.75 Bottling, Can Filling Machine1.0 Cereal Cooker1.25 Dough Mixer, Meat Grinder1.75</p> <p>LUMBER Band1.5 Circular, Cut-off1.75 Edger, Head Rig, Hog2.0 Gang Saw (Reciprocating) Refer to Factory Log Haul2.0 Planer1.75 Rolls, Non-Reversing1.25 Rolls, Reversing2.0 Sawdust Conveyor1.25 Slab Conveyor1.75 Sorting Table1.5 Trimmer1.75</p> <p>METAL ROLLING MILLS (Up or Down) Cold Mills only1.5 (Up or Down) Hot Mills only2.0 Coke Plants Pusher Ram Drive2.5 Door Opener2.0 Pusher or Larry Car Traction Drive3.0 Continuous Caster1.75 Cold Mills — Strip Mills Refer to Factory Temper Mills Refer to Factory Cooling Beds1.5 2.0 Feed Rolls - Blooming Mills3.0 Furnace Pushers2.0 Hot and Cold Saws2.0 Hot Mills — Strip or Sheet Mills Refer to Factory Reversing Blooming Refer to Factory or Slabbing Mills Refer to Factory Edger Drives Refer to Factory Ingot Cars2.0 Manipulators3.0 Merchant Mills Refer to Factory Mill Tables Roughing Breakdown Mills3.0 Hot Bed or Transfer, non-reversing1.5 , reversing3.0 , non-reversing, non-plugging2.0 Reel Drives1.75 Rod Mills Refer to Factory 2.0 Seamless Tube Mills Piercer3.0 Thrust Block2.0 Tube Conveyor Rolls2.0 Reeler2.0 Kick Out2.0</p>	<p>Shear, Croppers Refer to Factory 3.0 Mills Refer to Factory Slitters, Steel Mill only1.75 Soaking Pit Cover Drives — Lift1.0 Travel2.0 Straighteners2.0 (Billet Bundle Busters)2.0 Wire Drawing Machinery1.75</p> <p>OIL INDUSTRY Chiller1.25 Pumping (not over 150% peak torque)2.0 Paraffin Filter Press1.5 Rotary Kiln2.0</p> <p>PAPER MILLS Barker Auxiliary, Hydraulic2.0 Barker, Mechanical2.0 Barking Drum L.S. shaft of reducer with final drive - Helical or Herringbone Gear2.0 Machined Spur Gear2.5 Cast Tooth Spur Gear3.0 Beater &1.75 Bleachers,1.0 Calender & Super Calender1.75 Chipper2.5 Converting Machine1.25 Couch1.75 Cutter, Felt2.0 Cylinder1.75 Dryer1.75 Felt Stretcher1.25 1.75 Jordan2.0 Log Haul2.0 Line Shaft1.5 Press1.75 Pulp Grinder1.75 Reel, Winder1.5 Stock Chest, Washer, Thickener1.5 Stock Pumps, Centrifugal Constant Speed1.0 Frequent Speed Changes Under Load1.25 Suction Roll1.75 Vacuum Pumps1.25</p> <p>RUBBER INDUSTRY Calender2.0 Cracker2.5 1.75 Intensive or Banbury Mixer2.5 Mixing Mill, Refiner or Sheeter One or two in line2.5 Three or four in line2.0 Five or more in line1.75 Tire Building Machine2.5 Tire & Tube Press Opener (Peak Torque)1.0 Tuber, Strainer, Pelletizer1.75 Warming Mill One or two Mills in line2.0 Three or more Mills in line1.75 Washer2.5</p> <p>SEWAGE DISPOSAL EQUIPMENT Bar Screen, Chemical Feeders, Collectors, Screen, Grit Collector1.0</p> <p>SUGAR INDUSTRY Cane Carrier & Leveler1.75 Cane Knife & Crusher2.0 Mill Stands, Turbine Driver With all helical or Herringbone gears1.5 Electric Drive or Steam Engine Drive with Helical, Herringbone, or Spur Gears with any Prime Mover1.75</p> <p>TEXTILE INDUSTRY Batcher1.25 Calender, Card Machine1.5 Cloth Finishing Machine1.5 Dry Can, Loom1.5 Dyeing Machinery1.25 Knitting Machine Refer to Factory Mangle, Soaper1.25 Spinner, Tenter Frame, Winder1.5</p>
--	--

Type R10

Close Coupled Coupling/Dimensions — Millimeters



DIMENSIONS — MILLIMETERS †

SIZE ★	Torque Rating Nm	Allow Speed rpm	Max Bore †	Cplg Wt No Bore - kg ‡		A		AA		B	BE ■	C	D	F	H	J	S	Z	Gap ■	Cover Fasteners ♦	
				Nylon Cover	Steel Cover ●	Nylon Cover	Steel Cover ●	Nylon Cover	Steel Cover ●											Size	Allen Wrench
2R	11	4,500	22.00	0.365	0.402	48.8	49.0	51.8	52.1	56.5	16.5	20.0	...	38.9	...	14.0	9.7	7.5	1.50	M3	M2
3R	34	4,500	28.00	0.767	0.823	61.0	61.0	64.0	64.0	68.5	18.5	25.0	...	50.9	...	16.0	12.2	8.5	1.50	M3	M2
4R	56	4,500	35.00	1.17	1.26	70.5	71.0	74.7	75.2	79.5	19.5	30.0	...	57.9	...	17.0	14.7	9.0	1.50	M4	M2.5
5R	62	4,500	38.00	1.34	1.48	76.5	76.5	80.5	80.5	85.0	20.0	26.0	60.0	64.0	15.0	23.0	15.9	9.0	2.00	M4	M2.5
10R	130	4,500	48.00	2.48	2.70	90.5	90.5	94.5	94.5	92.0	24.0	34.0	72.0	76.0	19.0	28.0	22.2	11.0	2.00	M4	M2.5
20R	320	4,500	60.00	5.62	6.07	126.0	124.0	132.1	130.1	122.0	32.0	45.0	92.0	102.0	25.0	37.1	25.4	15.0	2.00	M6	M4
30R	520	4,500	65.00	9.37	10.0	146.5	143.0	152.6	149.1	152.0	36.0	58.0	105.0	118.0	29.0	42.0	31.8	17.0	2.00	M6	M4
40R	1,030	3,600	85.00	17.1	18.1	182.4	177.0	190.0	185.0	181.0	47.0	67.0	130.0	150.0	34.0	54.5	41.3	21.0	5.00	M8	M5
50R	2,500	3,000	105.00	35.7	37.6	231.0	224.0	239.0	232.0	215.0	61.0	77.0	178.0	190.0	46.0	69.5	44.5	28.0	5.00	M8	M5
60R	4,000	2,500	135.00	...	66.2	...	267.0	...	278.0	275.4	75.4	100.0	209.6	228.0	60.2	67.0	...	35.2	5.00	M10	M6
70R	8,000	2,100	160.00	...	111	...	310.0	...	321.0	324.4	84.4	120.0	250.8	270.0	69.7	75.0	...	39.7	5.00	M10	M6
80R	15,000	1,800	190.00	...	165	...	370.0	...	381.0	376.8	96.8	140.0	270.0	328.0	83.4	85.0	...	45.4	6.00	M10	M6

★ Wrapflex is a metric product. Metric to inch conversions may not be direct. Dimensions are for reference only and are subject to change without notice unless certified.

† AGMA Class 1 clearance fit bores are standard for Sizes 2R thru 50R, with two setscrews (one over keyway & one at 90°). Interference fit bores and no setscrews are standard for Sizes 60R thru 80R. Long hubs and interference fits are available and recommended when at or near maximum bore and: a) Number of start/stop cycles exceeds 10 per hour; or b) Application service factor = 2.0 or higher.

‡ Coupling assembly weight is based on "no bore" hubs. For coupling assembly weight and bored hubs, subtract the following value for each hub: $(0.20)(\text{Bore})^2(C)$ lb. Bore in "mm".

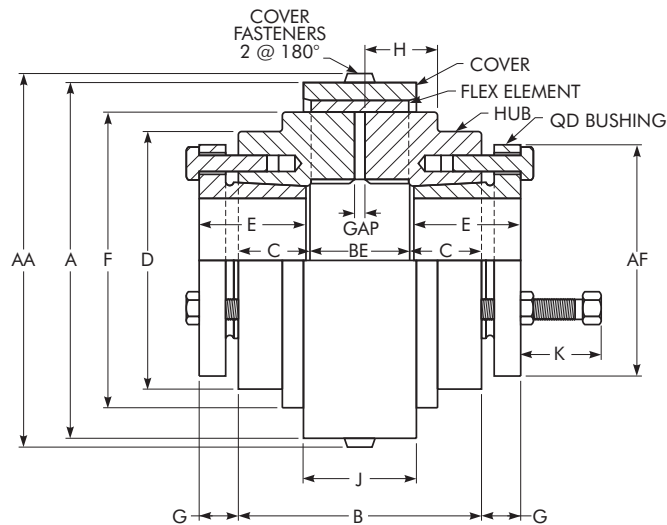
● Nylon cover is standard on Sizes 2R thru 50R, with an epoxy-coated steel cover as an option. Epoxy-coated steel cover is standard on Sizes 60R thru 80R, with no option for nylon cover.

■ "BE" = Standard "Distance Between Shaft Ends" with hubs mounted flush to the shaft ends. "GAP" = Minimum allowable "Distance Between Shaft Ends". Any shaft end spacing between the "GAP" and "BE" dimensions is acceptable. However, if utilizing a shaft end spacing less than the "BE" dimension, the key should not extend beyond the hub face in order to prevent potential interference with the flex element.

♦ Cover fasteners are stainless steel, socket button head capscrews, per ISO 7380-A2. Two capscrews per coupling assembly.

Type R10

QD Bushings/Dimensions — Millimeters



COUPLING SIZE	Bushing Size	Torque Rating ★	kW per rpm	Max RPM	Max Bore ★	Min Bore ★	Coupling weight without Bushing		GAP	BE
		Nm					Nylon Cover – kg	Steel Cover – kg		
5R	JA	62	0.0065	4 500	30.00	15.00	0.965	1.10	2.00	20.0
10R	JA	130	0.0136	4 500	30.00	15.00	1.58	1.81	2.00	24.0
20R	SD	320	0.0335	4 500	43.00	24.00	3.05	3.53	2.00	32.0
30R	SD	520	0.0544	4 500	43.00	24.00	4.61	5.27	2.00	36.0
40R	SF	1 030	0.108	3 600	63.00	28.00	7.70	8.73	5.00	47.0
50R	E	2 500	0.263	3 000	89.00	35.00	17.5	19.4	5.00	61.0
60R	J	4 000	0.42	2 500	114.00	50.00	NA	37.6	5.00	75.4
70R	J	8 000	0.84	2 100	114.00	50.00	NA	57.0	5.00	84.4
80R	M†	15 000	1.57	1 800	139.00	80.00	NA	115	6.00	96.8

COUPLING SIZE	Cover Fasteners ●		Bushing Fasteners ● Metric Hardware	AA - Nylon Cover	AA - Steel Cover	A - Nylon Cover	A - Steel Cover	AF ★	B
	Size	Hex Tool							
5R	M4	M2.5	M5 x 0.8 x 25	80.5	80.4	76.5	76.5	50.8	72.0
10R	M4	M2.5	M5 x 0.8 x 25	94.5	94.4	90.5	90.5	50.8	76.0
20R	M6	M4	M6 x 1.0 x 25	132.1	130.1	126.0	124.0	81.0	96.0
30R	M6	M4	M6 x 1.0 x 25	152.6	149.1	146.5	143.0	81.0	100.0
40R	M8	M5	M10 x 1.5 x 35	190.0	185.0	182.0	177.0	117.5	115.0
50R	M8	M5	M12 x 1.75 x 45	239.0	232.0	231.0	224.0	152.4	145.0
60R	M10	M6	M16 x 2.0 x 65	...	278.0	...	267.0	184.2	237.4
70R	M10	M6	M16 x 2.0 x 65	...	321.0	...	310.0	184.2	246.4
80R	M10	M6	M20 x 2.0 x 75	...	381.0	...	370.0	231.8	360.8

COUPLING SIZE	C	D	E ★	F	G ★	H	J - Nylon Cover	J - Steel Cover	K - Clearance
	mm								
5R	26.0	60.0	25.4	64.00	11.1	15.0	23.0	23.0	29.5
10R	26.0	72.0	25.4	76.00	11.1	19.0	28.0	28.0	29.5
20R	32.0	92.0	46.0	102.00	14.3	25.0	37.1	37.1	30.2
30R	32.0	105.0	46.0	118.00	14.3	29.0	42.0	41.6	30.2
40R	34.0	130.0	50.8	150.00	21.4	34.0	54.5	53.0	38.1
50R	42.0	178.0	66.7	190.00	28.6	46.0	69.5	67.2	54.0
60R	81.0	209.6	114.3	228.00	38.1	60.2	...	67.0	74.6
70R	81.0	250.8	114.3	270.00	38.1	69.7	...	75.0	74.6
80R	132.0	270.0	171.5	328.00	42.1	83.4	...	85.0	88.9

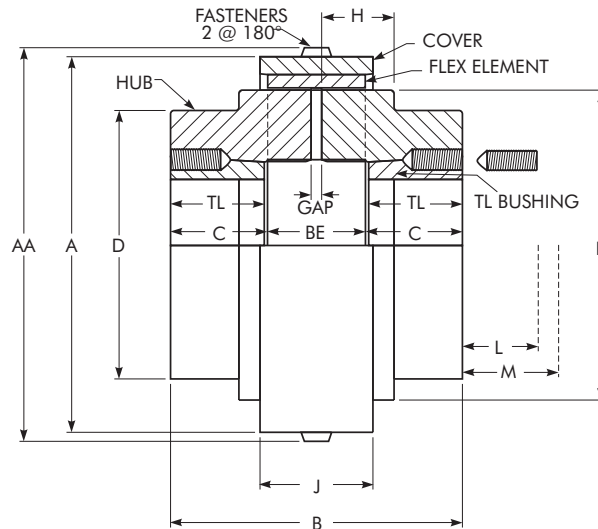
★ Typical – refer to bushing manufacturer for exceptions and Service Factor limitations..

† 80 R requires a special "M" bushing, manufactured for "reverse" mounting. Consult bushing manufacturer.

● Cover Fasteners are ISO 7380, Stainless Steel, Socket button Head Cap Screws. Bushing fasteners are SAE Grade 5 (inch) or ISO 8.8 (metric), Hex Head Cap Screws.

Type R10

Taper-Lock (BSW ♦) Bushings/Dimensions — Millimeters



COUPLING SIZE	Bushing Size	Torque Rating ★	kW per rpm	Max RPM	Max Bore ★	Min Bore ★	Coupling Weight without Bushing		Gap
		Nm					Nylon Cover – kg	Steel Cover – kg	
5R	1108	62	0.0065	4 500	26.00	9.00	0.807	0.943	2.00
10R	1210	130	0.0136	4 500	32.00	11.00	1.56	1.78	2.00
20R	1610	320	0.0335	4 500	40.00	14.00	3.11	3.59	2.00
30R	2012	520	0.0544	4 500	48.00	14.00	4.85	5.49	2.00
40R	2517 ♦	1 030	0.108	3 600	63.00	16.00	8.80	9.84	5.00
50R	3020	2 500	0.263	3 000	75.00	24.00	18.6	20.4	5.00
60R	4030	4 000	0.420	2 500	100.00	40.00	...	35.3	5.00
70R	4535	8 000	0.839	2 100	110.00	55.00	...	54.4	5.00
80R	5040	14 200	1.49	1 800	125.00	70.00	...	103	6.00

COUPLING SIZE	BE	Cover Fasteners †		A - Nylon Cover	A - Steel Cover	AA - Nylon Cover	AA - Steel Cover	B	C
		Size	Hex Tool						
5R	20.0	M4	M2.5	76.5	76.5	80.5	80.4	65.0	22.5
10R	24.0	M4	M2.5	90.5	90.5	94.5	94.4	90.0	33.0
20R	32.0	M6	M4	126.0	124.0	132.1	130.1	98.0	33.0
30R	36.0	M6	M4	146.5	143.0	152.6	149.1	120.0	42.0
40R	47.0	M8	M5	182.0	177.0	190.0	185.0	139.0	46.0
50R	61.0	M8	M5	231.0	224.0	239.0	232.0	171.0	55.0
60R	75.4	M10	M6	...	267.0	...	278.0	245.4	85.0
70R	84.4	M10	M6	...	310.0	...	321.0	264.4	90.0
80R	96.8	M10	M6	...	370.0	...	381.0	304.8	104.0

COUPLING SIZE	D	F	H	J - Nylon Cover	J - Steel Cover	L ‡		M •		TL
						Standard Hex Key	Short ■ Hex Key	Standard Hex Key	Short ■ Hex Key	
5R	60.0	64.00	15.0	23.0	23.0	29	16	32	19	22
10R	72.0	76.00	19.0	28.0	28.0	35	21	42	27	25
20R	92.0	102.00	25.0	37.1	37.1	35	21	42	27	25
30R	105.0	118.00	29.0	42.0	41.6	40	24	51	35	32
40R	130.0	150.00	34.0	54.5	53.0	42	26	58	42	45
50R	178.0	190.00	46.0	69.5	67.2	46	31	69	53	51
60R	209.6	228.00	60.2	-	67.0	61	42	105	86	76
70R	250.8	270.00	69.7	-	75.0	67	50	121	104	89
80R	270.0	328.00	83.4	-	85.0	72	59	134	123	102

★ Typical – refer to bushing manufacturer for exceptions and Service Factor limitations

† Cover Fasteners are ISO 7380, Stainless Steel, Socket Button Head Cap Screws.

‡ Space required to tighten bushing. Also, space required to loosen screws to permit removal of hub by puller.

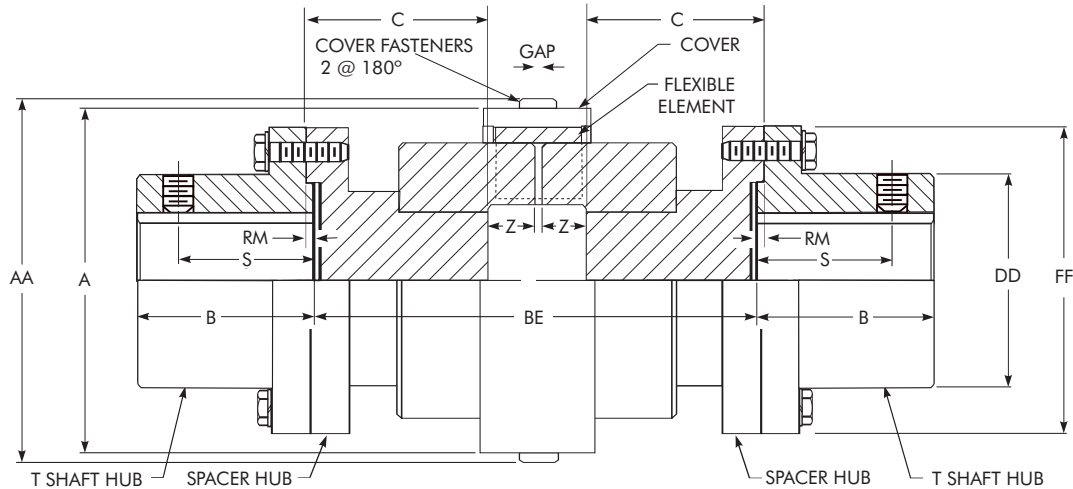
• Space required to remove bushing using jackscrews – no puller required.

■ Standard hex key cut to minimum useable length.

♦ BSW (British Standard Whitworth) threads (55° Pressure Angle) are common outside USA (UNC thread with 60° PA). BSW are considered by some manufacturers to be interchangeable with UNC threads except for 1/2" x 12 TPI (Threads Per Inch) on 2517 BSW bushings.

Type R31

Full Spacer Coupling/Dimensions — Millimeters



NOTE: Distance Between Shaft Ends (BE) = 2(C) + 2(Z) + Gap - 2(RM)
 SPACER DIMENSIONS — MILLIMETERS

SIZE ★	Torque Rating Nm	Allow Speed rpm	Max Bore ♦	Coupling Wt No Bore — kg		BE		A		AA		B	DD	FF	RM	S	Z	Gap	Cover Fasteners •		Flange Fasteners ■		T Shaft Hub
				At Min BE kg	Per Added BE kg/mm	Min	Max	Nylon Cover	Steel Cover †	Nylon Cover	Steel Cover †								Size	Allen Wrench Tool	Size	No. Per Flange	
				Min	Max	Nylon Cover	Steel Cover †	Size	Allen Wrench Tool	Size	No. Per Flange												
5R	62	4 500	35	3.63	0.014	80.9	235	76.5	76.5	80.5	80.4	34.9	52.4	86	1.27	27.4	9.0	2.00	M4	M2.5	M6	4	1020T
	130	4 500	43	4.99	0.015	88.9	254	90.5	90.5	94.5	94.4	41.3	59.5	94	1.27	31.5	11.0	2.00	M4	M2.5	M6	8	1030T
20R	320	4 500	56	9.53	0.027	88.9	254	126	124	132	130	54.0	78.6	113	1.27	27.4	15.0	2.00	M6	M4	M6	8	1040T
	520	4 500	67	14.1	0.034	111	254	147	143	153	149	60.3	87.3	126	1.27	40.6	17.0	2.00	M6	M4	M8	8	1050T
40R	1 030	3 600	85	25.9	0.040	127	311	182	177	190	185	79.4	109.5	153	1.27	46.7	21.0	5.00	M8	M5	M10	12	1070T
	2 500	3 000	95	45.4	0.059	165	311	231	224	239	232	88.9	122.2	178	1.27	49.8	28.0	5.00	M8	M5	M12	12	1080T
60R	4 000	2 500	110	72.6	0.082	200	311	...	267	...	278	101.6	142.9	210	1.27	...	35.2	5.00	M10	M6	M16	12	1090T
	8 000	2 100	130	102	0.117	224	373	...	310	...	321	90.4	171.4	251	1.52	...	39.7	5.00	M10	M6	M20	12	1100T
70R	8 000	2 100	150	120	0.117	224	373	...	310	...	321	104.1	196.8	276	1.52	...	39.7	5.00	M10	M6	M20	12	1110T
	80R	15 000	1 800	170	188	0.144	250	424	...	370	...	381	119.4	225.4	320	2.39	...	45.4	6.00	M10	M6	M24	12
15 000		1 800	190	230	0.240	256	424	...	370	...	381	134.6	238.1	347	2.39	...	45.4	6.00	M10	M6	M27	12	1130T

★ Wrapflex is a metric product. Metric to inch conversions may not be direct. Dimensions are for reference only and are subject to change without notice unless certified.

† 5R-50R nylon cover is standard & epoxy coated steel cover is optional. 60R-80R epoxy coated steel cover is standard (nylon cover not available).

• Cover Fasteners are ISO 7380 Stainless Steel Socket Button Head Cap screws. Two cover fasteners per coupling.

■ Flange Fasteners are ISO Grade 10.9 hex head cap screws for 5R-50R and ISO Grade 8.8 hex head cap screws for 60R.

♦ Maximum bore listed is for a standard square key. Larger bores, with a rectangular key, are available. Sizes 5R-50R are standard clearance fit with setscrew over keyway. Size 60R is standard interference fit with keyway, but no setscrew. For interference fit with setscrew over keyway, refer to 427-105.

TABLE 6 — Taper-Lock® Bushings for T Shaft Hubs *

COUPLING SIZE	T Shaft Hub	Torque Rating	kW per rpm	Allow Speed	Bore Range	Bushing Size
		Nm				
5R	1020T	62	0.0065	4 500	9-26	1108
10R	1030T	130	0.0136	4 500	9-26	1108
20R	1040T	315	0.0331	4 500	13-35	1310
30R	1050T	485	0.0509	4 500	13-42	1615
40R	1070T	994	0.104	3 600	20-63	2525
50R	1080T	1 276	0.134	3 000	20-63	2525
60R	1090T	2 710	0.284	2 500	24-75	3030
70R	1100T	5 062	0.531	2 100	31-91	3535
70R	1110T	8 000	0.839	2 100	37-103	4040
80R	1120T	12 428	1.304	1 800	50-114	4545
80R	1130T	14 226	1.493	1 800	61-127	5050

* Bushings with UNC threads, not BSW.

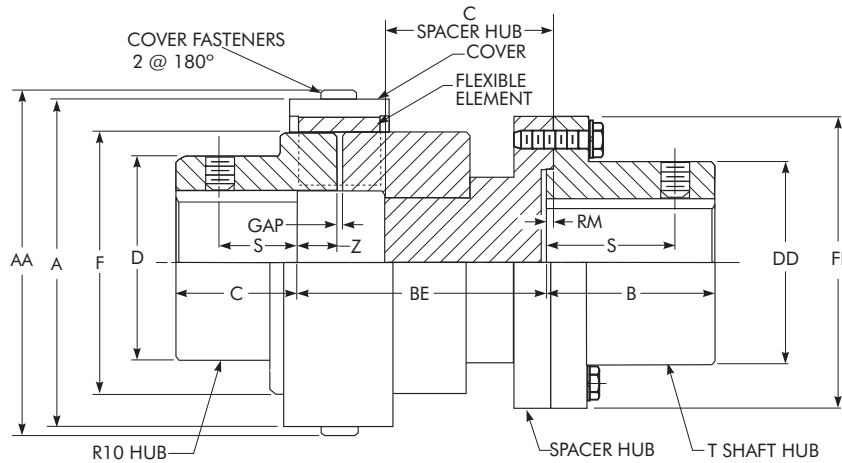
TABLE 7 — Type R31 Standard Spacer Lengths

COUPLING SIZE	BE Lengths (Distance Between Shaft Ends)		
	100	140	180
5R	X
10R	X	X	...
20R	X
30R	...	X	...
40R	...	X	X
50R	X
60R

Other BE lengths available. Refer to Factory.

Type R35

Half Spacer Coupling/Dimensions — Millimeters



NOTE: Distance Between Shaft Ends (BE) = (C)_{Spacer Hub} + 2(Z) + Gap - RM

SPACER DIMENSIONS — MILLIMETERS

SIZE ★	Torque Rating Nm	Allow Speed rpm	Max Bore ♦	Cplg Wt No Bore — kg		BE		A		AA		B	C R10 Hub	D	DD	F	FF	RM	S		Z	Gap	Cover Fasteners •		Flange Fasteners ■		T Shaft Hub
				At Min BE kg	Per Added BE kg/mm	Min	Max	Nylon Cover	Steel Cover †	Nylon Cover	Steel Cover †								Shaft Hub *	R10 Hub *			Size	Allen Wrench Tool	Size	No. Per Flange	
5R	62	4 500	35	2.54	0.014	50.5	127.0	76.5	76.5	80.5	80.4	34.9	26	60	52.4	64	86	1.27	27.4	15.9	9.0	2.00	M4	M2.5	M6	4	1020T
10R	130	4 500	43	3.96	0.015	59.6	140.0	90.5	90.5	94.5	94.4	41.3	34	72	59.5	76	94	1.27	31.5	22.2	11.0	2.00	M4	M2.5	M6	8	1030T
20R	320	4 500	56	8.44	0.027	76.5	140.0	126	124	132	130	54.0	45	92	78.6	102	113	1.27	27.4	25.4	15.0	2.00	M6	M4	M6	8	1040T
30R	520	4 500	67	12.9	0.034	87.6	146.1	147	143	153	149	60.3	58	105	87.3	118	126	1.27	40.6	31.8	17.0	2.00	M6	M4	M8	8	1050T
40R	1 030	3 600	85	22.4	0.040	88.6	184.2	182	177	190	185	79.4	67	130	109.5	150	153	1.27	46.7	41.3	21.0	5.00	M8	M5	M10	12	1070T
50R	2 500	3 000	95	40.8	0.059	113.1	184.2	231	224	239	232	88.9	77	178.0	122.2	190	178	1.27	49.8	44.5	28.0	5.00	M8	M5	M12	12	1080T
60R	4 000	2 500	110	69.0	0.082	137.6	203.2	...	267	...	278	101.6	100	209.6	142.9	228	210	1.27	35.2	5.00	M10	M6	M16	12	1090T
70R	8 000	2 100	130	106	0.117	153.9	228.9	...	310	...	321	90.4	120	250.8	171.4	270	251	1.52	39.7	5.00	M10	M6	M20	12	1100T
70R	8 000	2 100	150	115	0.117	153.9	228.9	...	310	...	321	104.1	120	250.8	196.8	270	276	1.52	39.7	5.00	M10	M6	M20	12	1110T
80R	15 000	1 800	170	180	0.144	172.7	259.6	...	370	...	381	119.4	140	270	225.4	328	320	2.39	45.4	6.00	M10	M6	M24	12	1120T
80R	15 000	1 800	190	193	0.240	175.5	259.6	...	370	...	381	134.6	140	270	238.1	328	347	2.39	45.4	6.00	M10	M6	M27	12	1130T

★ IMPORTANT: Upon removal of spacer hub, working clearance available for equipment removal = "BE" - "Z".

Wrapflex is a metric product. Metric to inch conversions may not be direct. Dimensions are for reference only and are subject to change without notice unless certified.

† 5R-50R nylon cover is standard & epoxy coated steel cover is optional. 60R-80R epoxy coated steel cover is standard (nylon cover not available).

• Cover Fasteners are ISO 7380 Stainless Steel Socket Button Head Cap screws. Two cover fasteners per coupling.

■ Flange Fasteners are ISO Grade 10.9 hex head cap screws for 5R-50R and ISO Grade 8.8 hex head cap screws for 60R.

♦ Maximum bore listed is for a standard square key. Larger bores with a rectangular key are available. Sizes 5R-50R are standard clearance fit with setscrew(s) over keyway. Size 60R is standard interference fit with keyway, but no setscrew. For interference fit with setscrew over keyway, refer to 427-105.

* Standard for T shaft hub is one setscrew over keyway. Standard for R10 hub is two setscrews (one over keyway and one at 90° from keyway).

TABLE 8 — R35 Spacer Lengths

Size	BE	Z	Usable Clearance Gap
5R	54.44	9.0	45.44
	60.00	9.0	51.00
	65.57	9.0	56.57
	73.49	9.0	64.49
	90.00	9.0	81.00
10R	50.90	11.0	39.90
	62.00	11.0	51.00
	67.56	11.0	56.56
	75.51	11.0	64.51
	81.99	11.0	70.99
	90.00	11.0	79.00
	100.00	11.0	89.00
20R	45.08	15.0	30.08
	52.57	15.0	37.57
	63.75	15.0	48.75
	75.84	15.0	60.84
	79.50	15.0	64.50
	86.00	15.0	71.00
	90.00	15.0	75.00
	100.00	15.0	85.00
	108.07	15.0	93.07

TABLE 8 — R35 Spacer Lengths

Size	BE	Z	Usable Clearance Gap
30R	59.24	17.0	42.24
	74.99	17.0	57.99
	87.99	17.0	70.99
	110.07	17.0	93.07
	127.00	17.0	110.00
40R	87.01	21.0	66.01
	93.51	21.0	72.51
	113.50	21.0	92.50
	115.58	21.0	94.58
	127.00	21.0	106.00
50R	147.33	21.0	126.33
	120.51	28.0	92.51
	122.57	28.0	94.57
	154.32	28.0	126.32
60R	157.50	28.0	129.50
	161.53	35.2	126.33

Other BE lengths available. Refer to Factory.

Taper-Lock bushing for R10 hub, see Page 10.

QD bushing for R10 hub, see Page 9.

Taper-Lock bushing for T shaft hub, see Table 6, Page 11.

Engineering Data

TABLE 9 — Type R10 Mill Motor Hubs

Mill Motor Frame Size			R10 Flex Hubs								
			5R	10R	20R	30R	40R	50R	60R	70R	80R
602	802 A, B, C	AC 1, 2 & 4	X	X
603 604	803 804		Consult Factory	X	X
606	806	AC 8 & 12	X	X	X	...
608	808		X	X	X
610	810	AC 18	Consult Factory	X	X	
612	812	AC 25 & 50	X	X
614	814	AC 40 & 50	X	X

**TABLE 10 — Recommended Bore Tolerances
Falk Steel Coupling Hubs —
Millimeters**

Shaft Diameter (ISO/R775-1969)	Bore Diameter Tolerance					
		Nominal	Tolerance	Clearance	Transitional	Interference
6 to 30			j6 / k6 †	F7	H7	M6
Over 30 to 50			k6	F7	H7	K6
Over 50 to 80			m6	F7	H7	K7
Over 80 to 100			m6	F7	H7	M7
Over 100 to 200			m6	F7	H7	P7
Over 200 to 355			m6	F7	H7	R7
Over 355 to 500			m6	F7	H7	R8

† Per DIN 748 — Differs from ISO/R775

Engineering Data

TABLE 11 — Recommended Bores for Metric Shafts per ISO/R775–1969 (Millimeters)

	Shaft Diameter	Clearance Fit		Transitional Fit		Interference Fit	
		Hub Bore	Fit *	Hub Bore	Fit *	Hub Bore	Fit *
mm	i6 0.008 / - 0.003	F7 0.016 / 0.034	0.008 0.037	H7 0.000 / 0.018	- 0.008 0.021	M6 - 0.015 / - 0.064	- 0.023 - 0.001
12	12.008 / 11.997	12.016 / 12.034		12.000 / 12.018		11.985 / 11.996	
14	14.008 / 13.997	14.016 / 14.034		14.000 / 14.018		13.985 / 13.996	
16	16.008 / 15.997	16.016 / 16.034		16.000 / 16.018		15.985 / 15.996	
18	18.008 / 17.997	18.016 / 18.034		18.000 / 18.018		17.985 / 17.996	
mm	i6 0.009 / - 0.004	F7 0.020 / 0.041	0.011 0.045	H7 0.000 / 0.021	- 0.009 0.025	M6 - 0.017 / - 0.004	- 0.026 0.000
19	19.009 / 18.996	19.020 / 19.041		19.000 / 19.021		18.983 / 18.996	
20	20.009 / 19.996	20.020 / 20.041		20.000 / 20.021		19.983 / 19.996	
22	22.009 / 21.996	22.020 / 22.041		22.000 / 22.021		21.983 / 21.996	
24	24.009 / 23.996	24.020 / 24.041		24.000 / 24.021		23.983 / 23.996	
25	25.009 / 24.996	25.020 / 25.041		25.000 / 25.021		24.983 / 24.996	
28	28.009 / 27.996	28.020 / 28.041		28.000 / 28.021		27.983 / 27.996	
30	30.009 / 29.996	30.020 / 30.041		30.000 / 30.021		29.983 / 29.996	
> 30 mm	k6 0.018 / 0.002	F7 0.025 / 0.050	0.007 0.048	H7 0.000 / 0.025	- 0.018 0.023	K6 - 0.013 / 0.003	- 0.031 0.001
32	32.018 / 32.000	32.025 / 32.050		32.000 / 32.025		31.987 / 32.003	
35	35.018 / 35.002	35.025 / 35.050		35.000 / 35.025		34.987 / 35.003	
38	38.018 / 38.002	38.025 / 38.050		38.000 / 38.025		37.987 / 38.003	
40	40.018 / 40.002	40.025 / 40.050		40.000 / 40.025		39.987 / 40.003	
42	42.018 / 42.002	42.025 / 42.050		42.000 / 42.025		41.987 / 42.003	
45	45.018 / 45.002	45.025 / 45.050		45.000 / 45.025		44.987 / 45.003	
48	48.018 / 48.002	48.025 / 48.050		48.000 / 48.025		47.987 / 48.003	
50	50.018 / 50.002	50.025 / 50.050		50.000 / 50.025		49.987 / 50.003	
> 50 mm	m6 0.030 / 0.011	F7 0.030 / 0.060	0.000 0.049	H7 0.000 / 0.030	- 0.030 0.019	K7 - 0.021 / 0.009	- 0.051 - 0.002
55	55.030 / 55.011	55.030 / 55.060		55.000 / 55.030		54.979 / 55.009	
56	56.030 / 56.011	56.030 / 56.060		56.000 / 56.030		55.979 / 56.009	
60	60.030 / 60.011	60.030 / 60.060		60.000 / 60.030		59.979 / 60.009	
63	63.030 / 63.011	63.030 / 63.060		63.000 / 63.030		62.979 / 63.009	
65	65.030 / 65.011	65.030 / 65.060		65.000 / 65.030		64.979 / 65.009	
70	70.030 / 70.011	70.030 / 70.060		70.000 / 70.030		69.979 / 70.009	
71	71.030 / 71.011	71.030 / 71.060		71.000 / 71.030		70.979 / 71.009	
75	75.030 / 75.011	75.030 / 75.060		75.000 / 75.030		74.979 / 75.009	
80	80.030 / 80.011	80.030 / 80.060		80.000 / 80.030		79.979 / 80.009	
> 80 mm	m6 0.035 / 0.013	F7 0.036 / 0.071	0.001 0.058	H7 0.000 / 0.035	- 0.035 0.022	M7 - 0.035 / 0.000	- 0.070 - 0.013
85	85.035 / 85.013	85.036 / 85.074		85.000 / 85.035		84.965 / 85.000	
90	90.035 / 90.013	90.036 / 90.071		90.000 / 90.035		89.965 / 90.000	
95	95.035 / 95.013	95.036 / 95.071		95.000 / 95.035		94.965 / 95.000	
100	100.035 / 100.013	100.036 / 100.071		100.000 / 100.035		99.965 / 100.000	
> 100 mm	m6 0.035 / 0.013	F7 0.036 / 0.071		H7 0.000 / 0.035		P7 - 0.059 / - 0.024	- 0.094 - 0.037
110	110.035 / 110.013	110.036 / 110.071		110.000 / 110.035		109.941 / 109.976	
120	120.035 / 120.013	120.036 / 120.071		120.000 / 120.035		119.941 / 119.976	
> 120 mm	m6 0.040 / 0.015	F7 0.043 / 0.083	0.003 0.068	H7 0.000 / 0.040	- 0.040 0.025	P7 - 0.068 / - 0.028	- 0.108 - 0.043
125	125.040 / 125.015	125.043 / 125.083		125.000 / 125.040		124.932 / 124.972	
130	130.040 / 130.015	130.043 / 130.083		130.000 / 130.040		129.932 / 129.972	
140	140.040 / 140.015	140.043 / 140.083		140.000 / 140.040		139.932 / 139.972	
150	150.040 / 150.015	150.043 / 150.083		150.000 / 150.040		149.932 / 149.972	
160	160.040 / 160.015	160.043 / 160.083		160.000 / 160.040		159.932 / 159.972	
170	170.040 / 170.015	170.043 / 170.083		170.000 / 170.040		169.932 / 169.972	
180	180.040 / 180.015	180.043 / 180.083		180.000 / 180.040		179.932 / 179.972	
> 180 mm	m6 0.046 / 0.017	F7 0.050 / 0.096	0.004 0.079	H7 0.000 / 0.046	- 0.046 0.029	P7 - 0.079 / - 0.033	- 0.125 - 0.050

* Positive values are clearance. Negative values are interference.

Engineering Data

TABLE 12 — Installation & Operating Misalignment Capacity

COUPLING SIZE	Installation Limits		Operating Limits	
	Parallel Offset (mm)	Angular (Degree)	Parallel Offset (mm)	Angular (Degree)
2R	0.25	0.25	0.50	1.00
3R	0.25	0.25	0.50	1.00
4R	0.25	0.25	0.50	1.00
5R	0.50	0.25	1.00	1.00
10R	0.50	0.25	1.00	1.00
20R	1.00	0.25	2.00	1.00
30R	1.00	0.25	2.00	1.00
40R	1.00	0.25	2.00	1.00
50R	1.00	0.25	2.00	1.00
60R	1.00	0.25	2.00	1.00
70R	1.00	0.25	2.00	1.00
80R	1.00	0.25	2.00	1.00

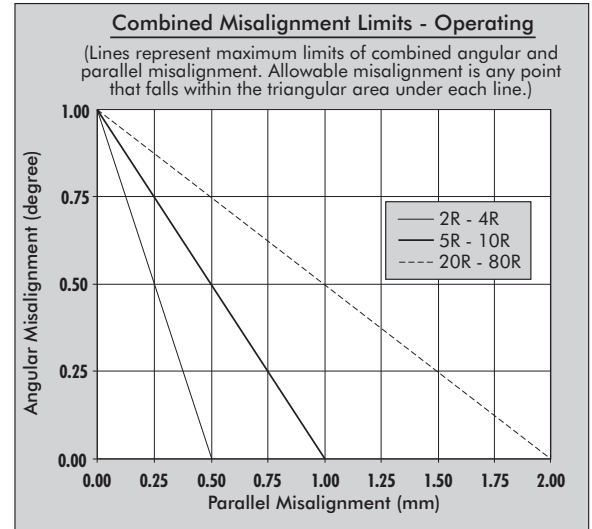


TABLE 13 — Mass and WR2

R10 Mass						
COUPLING SIZE	Element	Nylon Cover	Steel Cover	R10 Hub (No Bore)	Total w/Nylon Cover	Total w/Steel Cover
	kg	kg	kg	kg	kg	kg
2R	0.011	0.008	0.045	0.17	0.36	0.40
3R	0.020	0.012	0.068	0.37	0.77	0.82
4R	0.029	0.019	0.11	0.56	1.16	1.26
5R	0.032	0.031	0.17	0.64	1.34	1.48
10R	0.059	0.050	0.28	1.19	2.49	2.71
20R	0.19	0.13	0.59	2.65	5.61	6.07
30R	0.29	0.17	0.83	4.46	9.37	10.0
40R	0.59	0.39	1.42	8.03	17.0	18.1
50R	1.22	0.77	2.64	16.9	35.7	37.6
60R	1.85	...	3.31	30.4	...	66.0
70R	2.80	...	4.63	51.7	...	111
80R	4.63	...	6.62	77.1	...	165

R10 WR ²						
COUPLING SIZE	Element	Nylon Cover	Steel Cover	R10 Hub (No Bore)	Total w/Nylon Cover	Total w/Steel Cover
	kg-m ²	kg-m ²	kg-m ²	kg-m ²	kg-m ²	kg-m ²
2R	0.000035	0.000044	0.000024	0.000032	0.000072	0.000092
3R	0.000011	0.000011	0.000059	0.00012	0.00026	0.00031
4R	0.000020	0.000021	0.00013	0.00024	0.00052	0.00063
5R	0.000026	0.000041	0.00022	0.00031	0.00068	0.00086
10R	0.000067	0.000094	0.00051	0.00082	0.0018	0.0022
20R	0.00040	0.00046	0.0021	0.0031	0.0070	0.0086
30R	0.00080	0.00082	0.0039	0.0068	0.015	0.018
40R	0.0026	0.0030	0.010	0.019	0.044	0.051
50R	0.0089	0.0093	0.031	0.072	0.16	0.18
60R	0.020	...	0.055	0.18	...	0.44
70R	0.041	...	0.10	0.44	...	1.02
80R	0.098	...	0.22	0.86	...	2.04

R31/R35 WR ² *									
COUPLING SIZE	T31 Shaft Hub	R31 Assembly †				R35 Assembly ‡			
		Min BE	WR ² at Min BE (kg-m ²)		WR ² (kg-m ²) per mm	Min BE	WR ² at Min BE (kg-m ²)		WR ² (kg-m ²) per mm
		(mm)	Nylon Cover	Steel Cover	(mm)	Nylon Cover	Steel Cover		
5R	1020	81.0	0.00220	0.00239	0.000040	50.5	0.00144	0.00162	0.000040
10R	1030	89.0	0.00398	0.00439	0.000048	59.7	0.00281	0.00322	0.000048
20R	1040	89.0	0.0115	0.0131	0.000014	76.5	0.0097	0.0112	0.000014
30R	1050	111.1	0.0212	0.0241	0.000023	87.6	0.0193	0.0222	0.000023
40R	1070	127.0	0.0635	0.0711	0.000048	88.6	0.0538	0.0612	0.000048
50R	1080	165.2	0.169	0.191	0.00012	113.0	0.165	0.187	0.00012
60R	1090	200.0	...	0.439	0.00023	137.7	...	0.439	0.00023
70R	1100	223.6	...	0.869	0.00047	154.0	...	0.945	0.00047
70R	1110	223.6	...	1.06	0.00047	154.0	...	1.04	0.00047
80R	1120	248.5	...	2.24	0.00071	172.6	...	2.11	0.00071
80R	1130	254.1	...	2.81	0.0017	175.4	...	2.40	0.0017

* WR² values are based on hubs with no bore.
 † For R31 Mass, refer to Page 11.
 ‡ For R35 Mass, refer to Page 12.

World Class Customer Service

For more than 100 years, the dedicated people of Rexnord have delivered excellence in quality and service to our customers around the globe. Rexnord is a trusted name when it comes to providing skillfully engineered products that improve productivity and efficiency for industrial applications worldwide. We are committed to exceeding customer expectations in every area of our business: product design, application engineering, operations, and customer service.

Because of our customer focus, we are able to thoroughly understand the needs of your business and have the resources available to work closely with you to reduce maintenance costs, eliminate redundant inventories and prevent equipment down time.

Rexnord represents the most comprehensive portfolio of power transmission and conveying components in the world with the brands you know and trust.

Wrapflex and Rexnord are registered trademarks of Rexnord Industries, LLC. Falk is a trademark of Rexnord. All rights reserved.

WORLDWIDE CUSTOMER SERVICE

AUSTRALIA

Rexnord Australia Pty. Ltd.
Picton, New South Wales
Phone: 61-2-4677-3811
Fax: 61-2-4677-3812

BRAZIL

Rexnord Correntes Ltda.
Sao Leopoldo - RS
Phone: 55-51-579-8022
Fax: 55-51-579-8029

CANADA

Rexnord Canada Ltd.
Scarborough, Ontario
Phone: 1-416-297-6868
Fax: 1-416-297-6873

CHINA

Rexnord China
Shanghai, China
Phone: 86-21-62701942
Fax: 86-21-62701943

EUROPE

Rexnord NV/SA
Mechelen, Belgium
Phone: 32-15-443811
Fax: 32-15-443860

Rexnord Kette GmbH
Betzdorf, Germany
Phone: 49-2741-2840
Fax: 49-2741-284-385

LATIN AMERICA

Rexnord International, Inc.
Milwaukee, Wisconsin
Phone: 1-414-643-2366
Fax: 1-414-643-3222
E-mail: international2@rexnord.com

MEXICO

Mecanica Falk S.A. de C.V.
Mexico, D.F. 02300
Phone: 52-55-9140-3500
Fax: 52-55-9140-3550

SINGAPORE

Rexnord International, Inc.
Singapore City, Singapore
Phone: 65-6338-5622
Fax: 65-6338-5422

UNITED STATES

Customer Service
Phone: 1-866-REXNORD
(1-866-739-6673)
Fax: 1-614-675-1898
E-mail: [rexnordcs\(state\)@rexnord.com](mailto:rexnordcs(state)@rexnord.com)
Example: rexnordcsohio@rexnord.com

ALL COUNTRIES NOT LISTED

Rexnord International
Milwaukee, Wisconsin
Phone: 1-414-643-2366
Fax: 1-414-643-3222
E-mail: international1@rexnord.com

